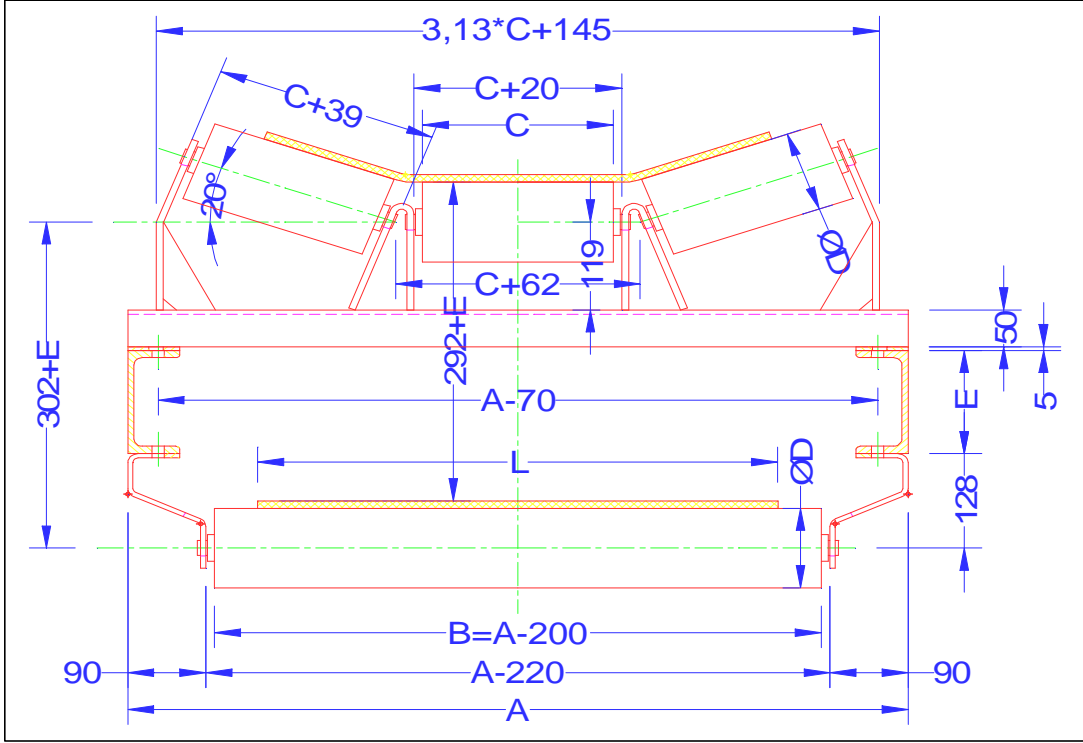




**MIS** Makina, Insaat, Sanayi Ltd. Sti.

**BELT CONVEYOR DIMENSIONS**  
**BAND KONVEYÖR ÖLÇÜLERİ**



Type No	Band Genisligi/Belt Width L	A	B	C	D	E	Notlar/ Notes
<b>Laboratuvar Tipi Konveyörler / Laboratory Conveyors</b>							
M02-01-0201	300	600	400	190	63	100	Two Rollers Type
M02-01-0202	400	700	500	240	63	100	Two Rollers Type
<b>Standart Konveyörler / Standard Conveyors</b>							
M02-01-0203	500	800	600	200	89	140	
M02-01-0204	600	900	700	220	108	140	
M02-01-0205	650	950	750	250	108	140	
M02-01-0206	750	1100	900	290	108	140	
M02-01-0207	800	1150	950	315	108	140	
M02-01-0208	900	1250	1050	330	133	160	
M02-01-0209	1000	1350	1150	380	133	160	
M02-01-0210	1200	1600	1400	465	133	160	

Not: Gidis Rulolari, Kafalar hariç 1000 mm ara ile / Going Rollers Groups distance 1000 mm  
Dönüs Rulolari, Kafalar hariç 2500 mm ara ile /Return Rollers Groups distance 2500 mm



