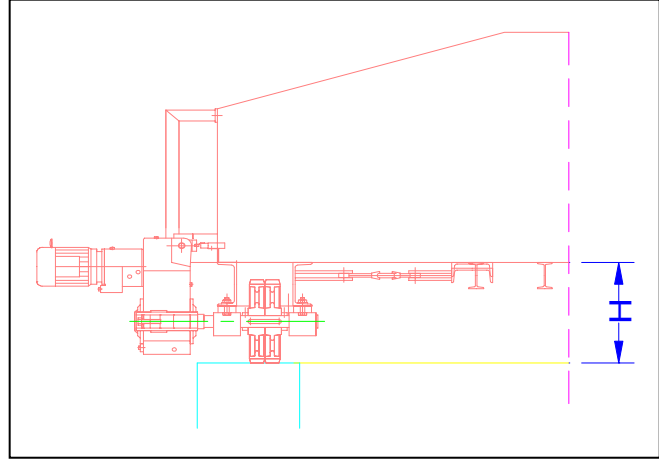
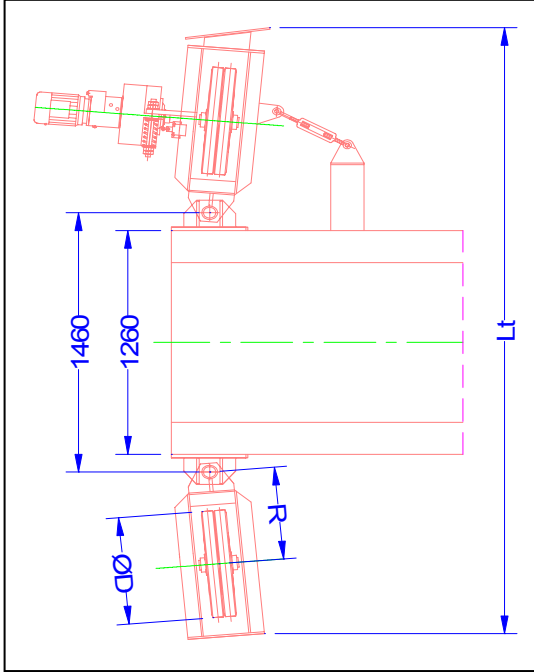




MIS Makina, İnşaat, Sanayi Ltd. Şti.



Sedimentation Tank Scraper Drive Unit



Front View

Top View

Type No	M10-02-D	M10-02-D	M10-02-D	M10-02-D	M10-02-D	M10-02-D	M10-02-D	M10-02-D
Inside Diameter of Tank m	21-25	26-30	31-35	36-40	41-45	46-50	51-55	56-60
Bridge Length m	13,5-16,5	17,3-20,3	21,1-24,1	24,9-27,9	28,7-31,7	32,4-35,4	36,2-39,2	40-43
Installed Motor Power kW	0,55	0,55	0,75	0,75	1,1	1,1	1,5	1,5
T.Length W.Block Lt=mm	2974	2974	2974	3914	3914	3914	3914	3914
Wheel Diameter ϕD =mm	380	380	380	600	600	600	600	600
Wheel-Rota. Axis R=mm	410	410	410	518	518	518	518	518
STW.Top-B.Bottom H=mm	460	460	460	695	695	695	695	695
Rotation reducer. rpm	1,5	1,5	1,9	1,3	1,6	1,6	2	2
Peripheral Speed. m/min	1,79	1,79	2,27	2,45	3,02	3,02	3,77	3,77
Rotation Bridge. rpm	0,025	0,020	0,022	0,021	0,022	0,020	0,023	0,021
Geared Motor Type No	SK7382/ 22-80S/4	SK7382/ 22-80S/5	SK7382/ 22-80L/4	SK8382/ 32-80L/4	SK8382/ 32-80L/4	SK8382/ 32-80L/4	SK9382/ 42-90L/4	SK9382/ 42-90L/4
Reducer Output TorqueNm	3247	3247	3569	5216	6566	6566	7162	7162
Service Factor f_B	2,2	2,2	2,0	2,3	3,7	3,7	3,4	3,4

Geared Motor Type Parallel Shaft Geared Motor Motor Protection class: IP55

Geared Motor Trade Name Nord

Note: Our company can make a brand change, providing same capacities of the motor & reducer.

MIS Makina, İnşaat, Sanayi Ltd. Şti.

Adres/Address: Bilkent 1, E5 Blok D:9 Bilkent / Ankara / Turkey
Ankara: Tel: 00-90-312-395 13 55 Fax: 00-90-0312-394 38 49
İstanbul: Tel: 00-90-216-357 47 50 Fax: 00-90-216-357 58 71
Mobil: Tel: 533-275 06 53 Fax: 00-90-312-295 97 68

e-mail: info@misindustry.com
<http://www.misindustry.com>